



Practicon® **Spot-On™** **Plus Wireless Headlight**

Instructions for Use



Thank You

Thank you for your purchase of the **Spot-On Plus Wireless Headlight**, the ultra-compact, 100% wireless headlight that weighs only 1.4 oz.! Clip Spot-On Plus to any eyewear and enjoy crisp, clean “spot on” illumination without even thinking about it.

At the heart of the Spot-On Plus Headlight is a superior US-made Cree® LED powered by an advanced, Li-polymer, long-life battery. Enjoy up to 5.5 hours of continuous operation on a single charge. For uninterrupted, full-day operation, switch between the two magnetically-attached batteries included, using one battery while the second one is on charge.



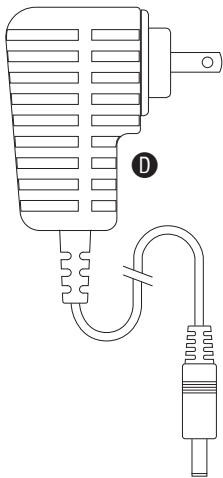
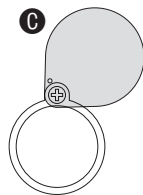
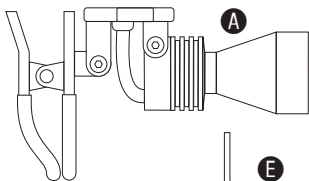
Please read and understand all instructions before using this device, and save this manual for your reference. This manual is subject to change without notice.



PRACTICON, INC.
1112 SUGG PARKWAY
GREENVILLE, NC 27834 USA

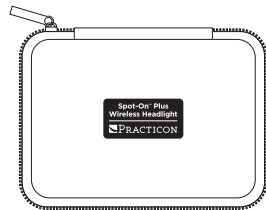
TEL: +1 (252) 752-5183
FAX: +1 (252) 752-2439

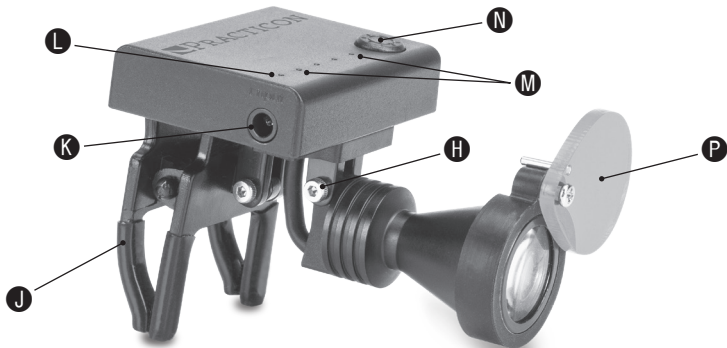
WEBSITE: practicon.com
EMAIL: ccr@practicon.com



PACKAGE CONTENTS

Item	Description	Qty
A	Spot-On Plus Headlight	1
B	Rechargeable Li-poly Battery	2
C	Removable Composite Filter	1
D	Battery Charger	1
E	Allen Wrench	1
F	Storage Case	1
G	Instructions for Use	1





SPOT-ON PLUS COMPONENTS AND CONTROLS

- H** Hinge point
Rotate up or down to position light. Tighten as desired with Allen wrench (included).
- J** Spring mount clip
- K** Charge port
- L** Charging indicator LED
Red LED indicates charge in progress.
LED OFF indicates complete charge.
- M** Battery status LEDs
4 blue LEDs indicate full charge.
1-3 LEDs indicate remaining charge.
- N** ON/OFF/Intensity button
Press once to turn ON at last used brightness setting. Press repeatedly to cycle through intensity settings from low to high. Press and hold for 2 seconds to power OFF.
- P** Removable/rotatable composite filter

CHARGE THE BATTERY FULLY BEFORE USING THE SPOT-ON PLUS FOR THE FIRST TIME

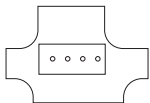
Insert the charging cable into port **(K)** on the side of the battery. The red LED indicator **(L)** on the battery will turn OFF when the battery is fully charged. A full charge can take up to 1.5 hours.



Use only the charger that came with your Spot-On Plus. Use of a different charger could damage the unit and will void the warranty. Unplug charger when not in use.

When fully charged, the Spot-On Plus can operate continuously for about 5.5 hours on lowest intensity setting or about 1.3 hours on highest intensity setting. The four blue battery status LEDs will indicate remaining charge. Change/charge battery when one LED remains lit.

The Spot-On Plus battery is rated for approx. 700 recharge cycles before replacement. Contact Practicon for replacement batteries. Do not attempt to open or service the battery.



BATTERY ATTACHMENT

Match outline on underside of battery with outline on headlight magnetic attachment pad and touch together. Magnet will grip battery and ensure perfect contact alignment. To remove battery, simply lift it off.

OPERATION

Attach the Spot-On Plus to eyewear frame with spring mount clip **(J)**. Attach battery. Put eyewear on. Press power button **(N)** to turn unit ON at last used brightness setting. Rotate unit up or down at hinge point **(H)** to direct light. Press and hold power button for 2 seconds to turn unit OFF.

ADJUSTING THE BRIGHTNESS

Press power button repeatedly to cycle through four brightness settings from low to high (25% > 50% > 75% > 100% > Repeat).

WORKING WITH LIGHT-CURED COMPOSITES

Attach orange composite filter **P** to block blue light emitted by the LED in the 400–450nm range and to extend the working time of light-cured composites under direct illumination.

WARNINGS



AMBIENT CONDITIONS

Do not store the device in humid surroundings. Do not place the device where it may come in contact with liquids. Do not expose the device to any heat sources. Do not charge, operate, or store the device at high temperatures. Do not operate unit at maximum brightness for periods longer than 30 minutes or overheating may occur. Comply with the specified operating and storage conditions.



BATTERY

Do not store at temperatures above 104°F (40°C). If unit is stored six months or longer, recharge battery fully before using.

DISPOSAL

Dispose of batteries according to local environmental guidelines or regulations regarding lithium-polymer batteries. Do not dispose of batteries in fire.

REPAIRS AND DEFECTS

Do not use the device if you suspect it is damaged or defective. If batteries are defective, do not transport them by air under any circumstances.

CLEANING AND DISINFECTION

Use a mild detergent on a very slightly damp cloth to clean the main unit and battery packs.

- Do not use any cleaner containing phenol, hydrogen peroxide, alcohol, or bleach.
 - DO NOT AUTOCLAVE any component of this device.
 - Do not immerse in liquid.
-

Warranty

Practicon, Inc. warrants this product to be free of manufacturing defects for a period of one (1) year from the date of purchase, deemed as the date of the invoice. Units returned due to manufacturing defects within the warranty period will be repaired or replaced at our discretion. The following are expressly excluded from the warranty:

- Damage and/or failure caused by use of incorrect charger, immersion or excess contact with liquids or disinfectants, dropping and/or jolting during use.
- Damage and/or failure of the equipment caused by natural disasters, such as earthquakes, floods, lightning, pollution, incorrect electrical voltage, and voltage spikes.
- Spring mount clip failure.
- Battery failure.

IMPROPER USE OR ANY ATTEMPT TO ALTER THE UNIT WILL INVALIDATE THE WARRANTY.

Date of Invoice _____



PRACTICAL INNOVATIONS FOR DENTISTRY

1-800-959-9505 • Fax 1-800-278-0885

practicon.com • Greenville, NC 27834

Made in China • IFU 7162910_1

PRODUCT SPECIFICATIONS

Information	Specifications
Device Name	Spot-On Plus Wireless Headlight
Model Number	71-62910
Battery	3.7V 600mAh Lithium-poly
Charging Time	< 1.5 hours (full charge)
Battery Charger	100-240VAC/5VDC 1000mA
Battery Life	Approx. 700 recharge cycles
Spot Size	3.75" at 15" working distance
Device Weight	1.4 oz. (40g)
LED Power	1.5W
Color Temp.	5,000 K-6,300 K
Light Intensity	Adjustable up to 23,300 lux
Protection from Ingress of Liquid	IPX0